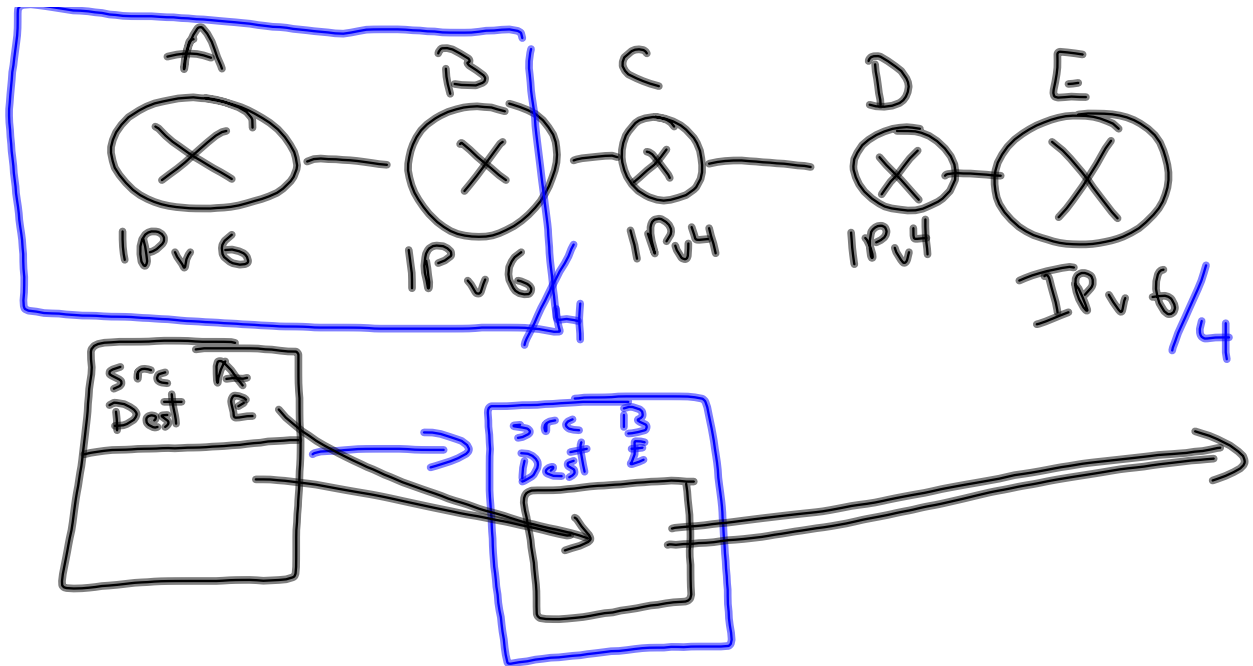


IP v 4 32 bit addr.

IP v 6 128 bit addr.

----- : ----- : -----

Hex: 0..9, A..F
 ↑ ↑ ↑
 0000 1010 1111

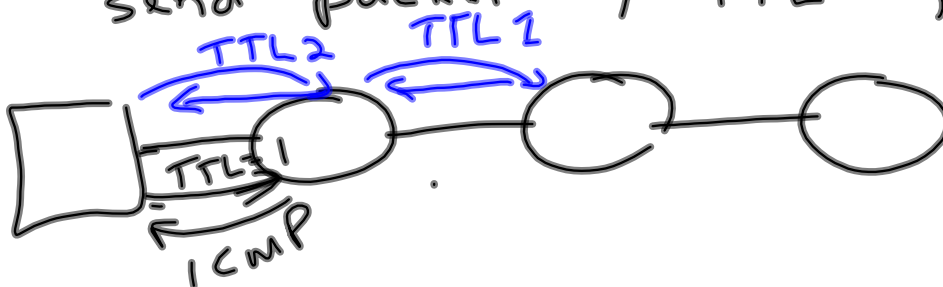


ICMP: internet control message protocol

- sent as IP datagrams
- error reporting
- status

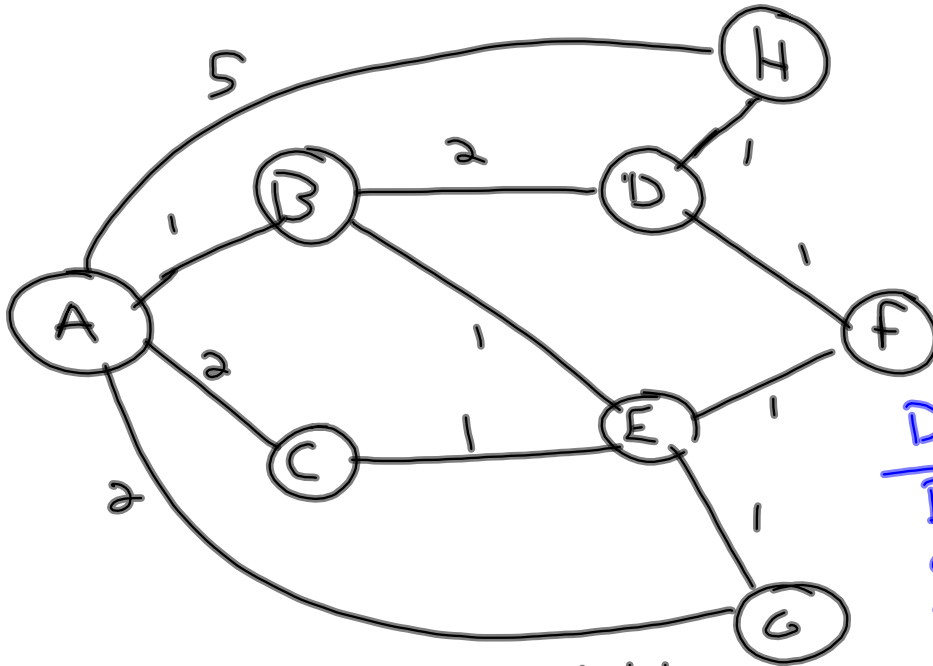
Traceroute:

send packet w/ TTL = 1, 2, 3



Routing Algorithms

- forwarding among our routers
- forwarding to the outside world.
- "global" information
or
decentralized - routers can find out what they are connected to.
- static v. dynamic



A's forwarding table

Dest	Link
G	A
H	A

Dest	Link
B	B
C	B
D	B
E	B
F	B
G	B
H	B