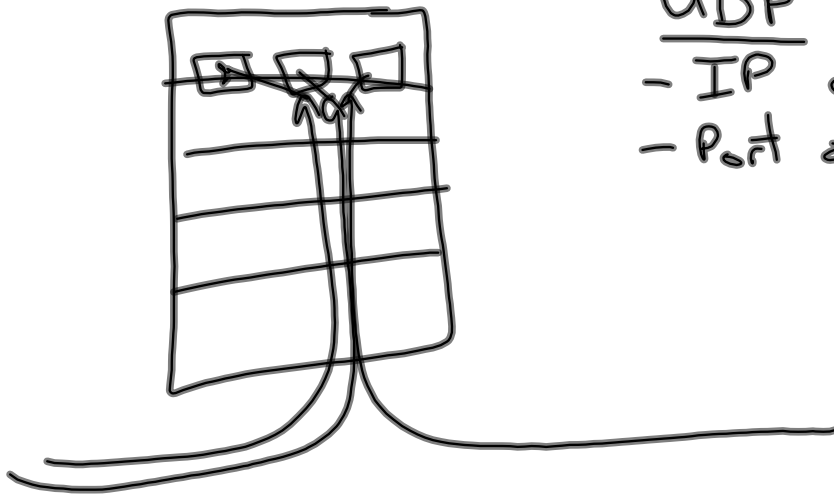


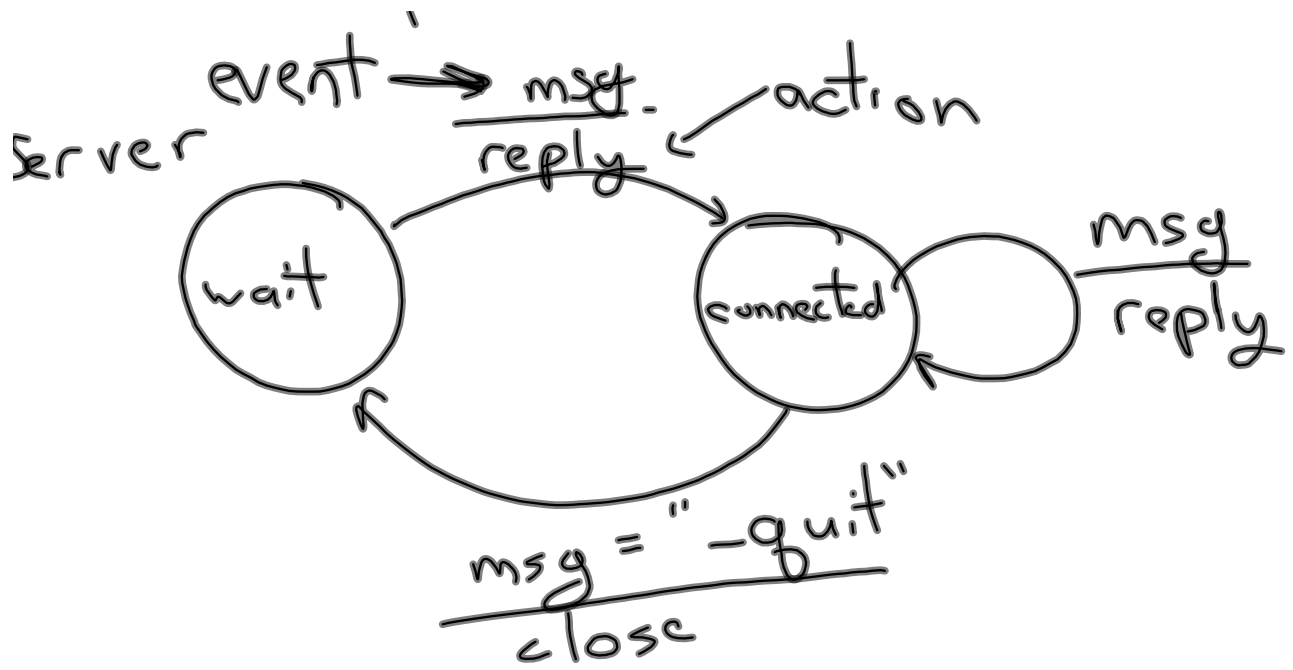
- start Wireshark capture  
on lo
- run TCP connection
- run UDP client/server

# Demultiplexing rcvr

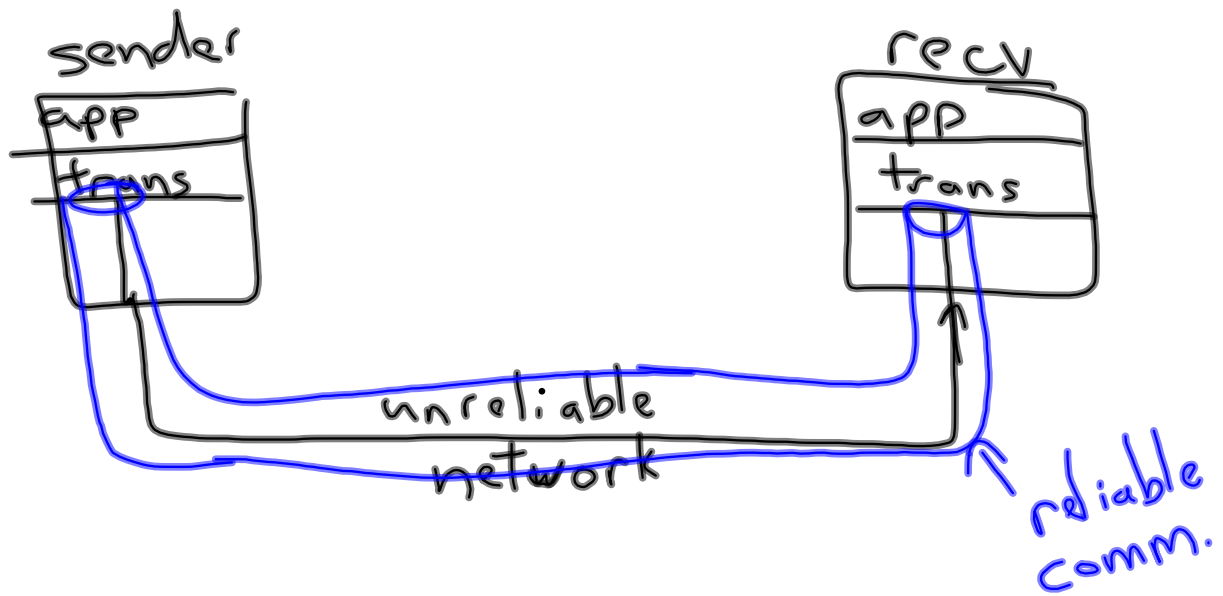


- UDP
- IP of dest
  - Port of dest

- TCP
- IP of dest
  - Port of dest.
  - IP of src
  - Port of src



# reliable data transfer



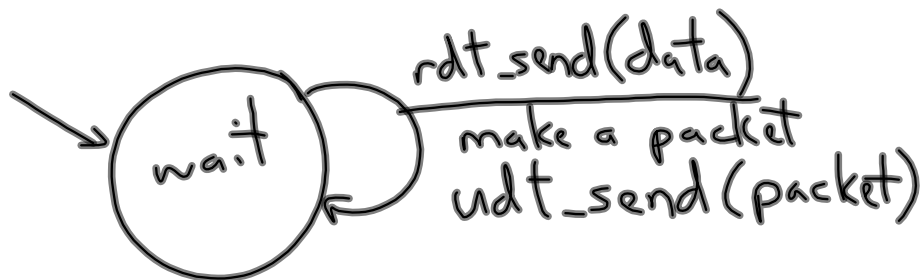
rdt 1.0

- reliable comm. over
- reliable network

actions

app.  
transport    rdt\_send,  
                  deliver\_data

~~trans~~  
~~net~~        udt\_send  
                  rdt\_rcv

sender

rcv.

