

## Instruction Fetch

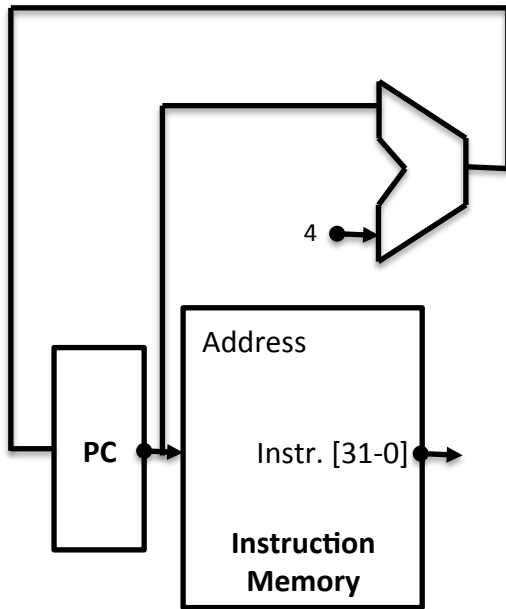
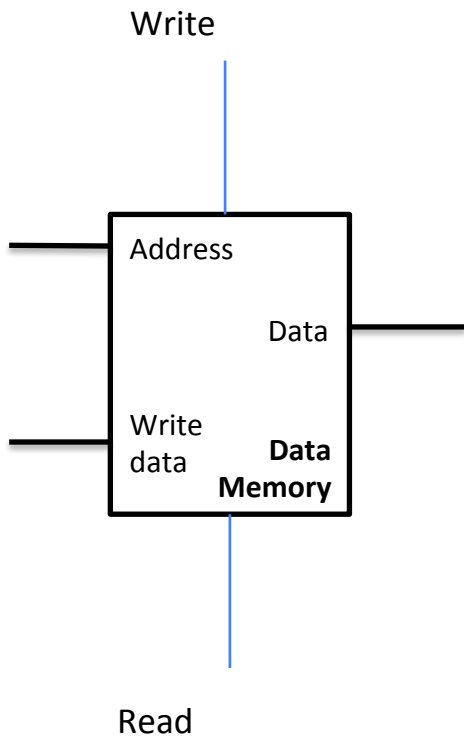
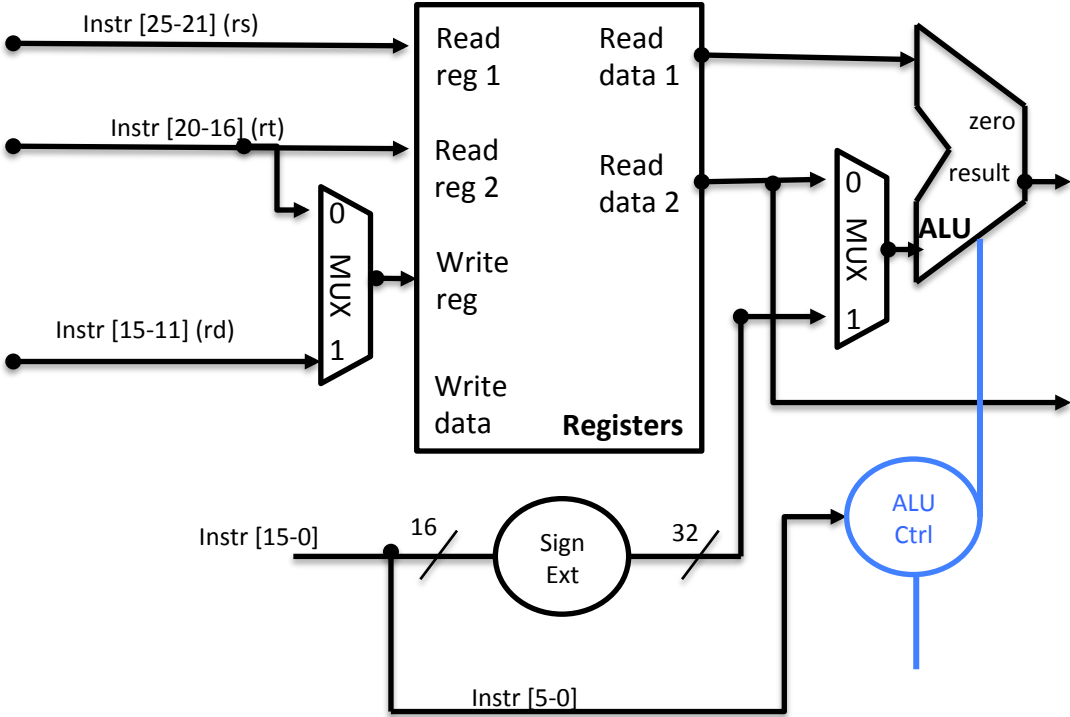


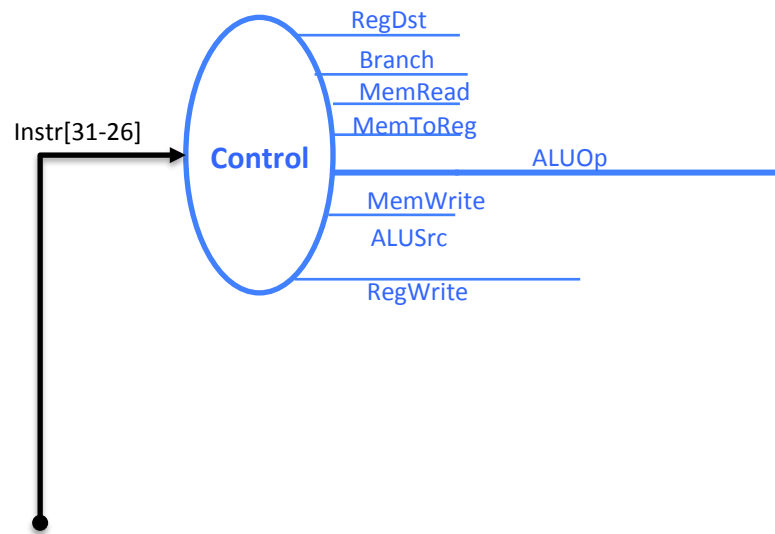
Fig 4.6 p 309



# Registers and ALU



From figures 4.7, 4.8 pp 310-311.



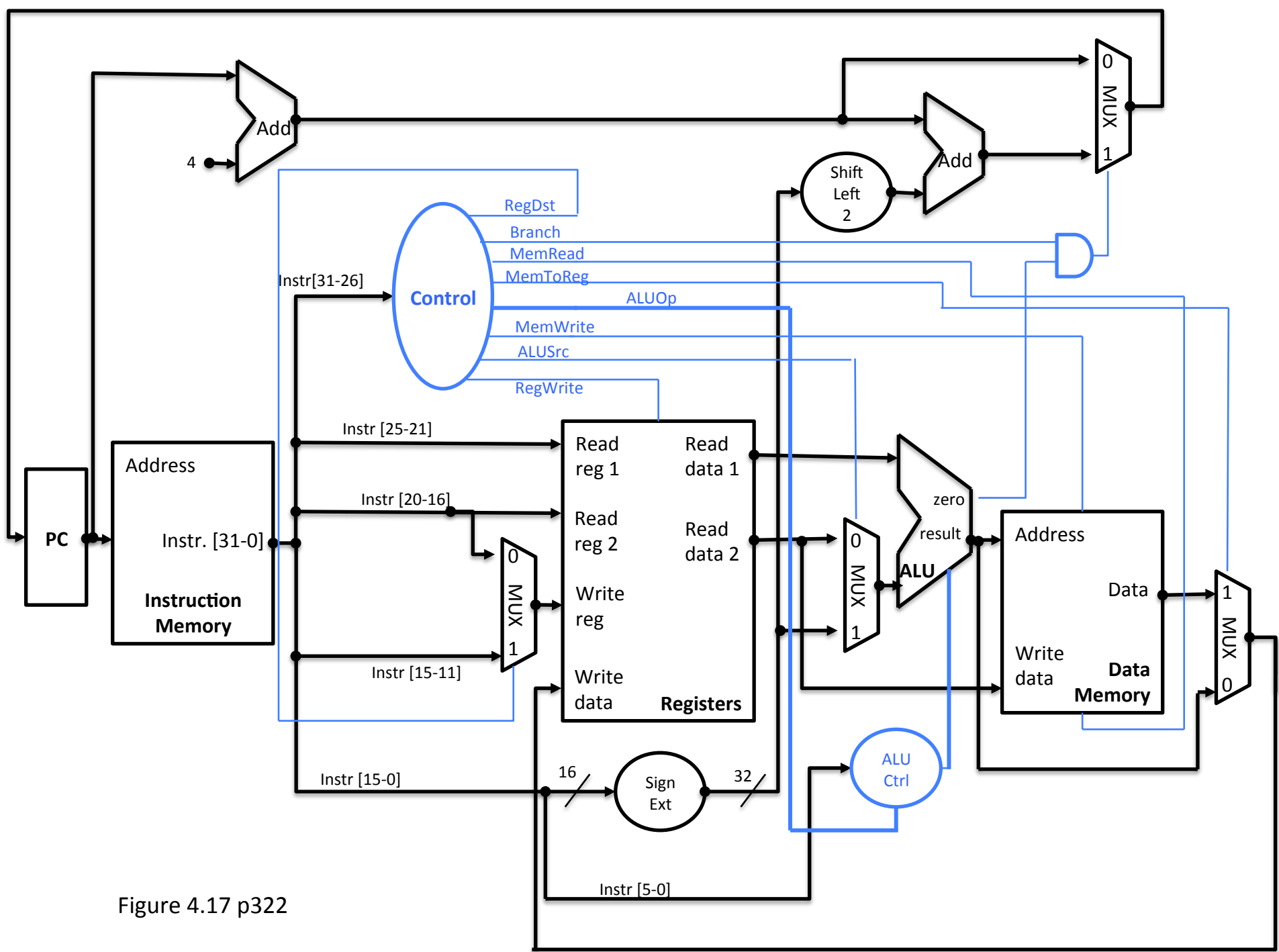


Figure 4.17 p322

