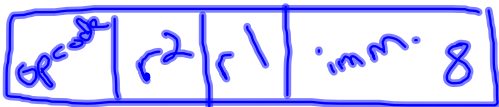
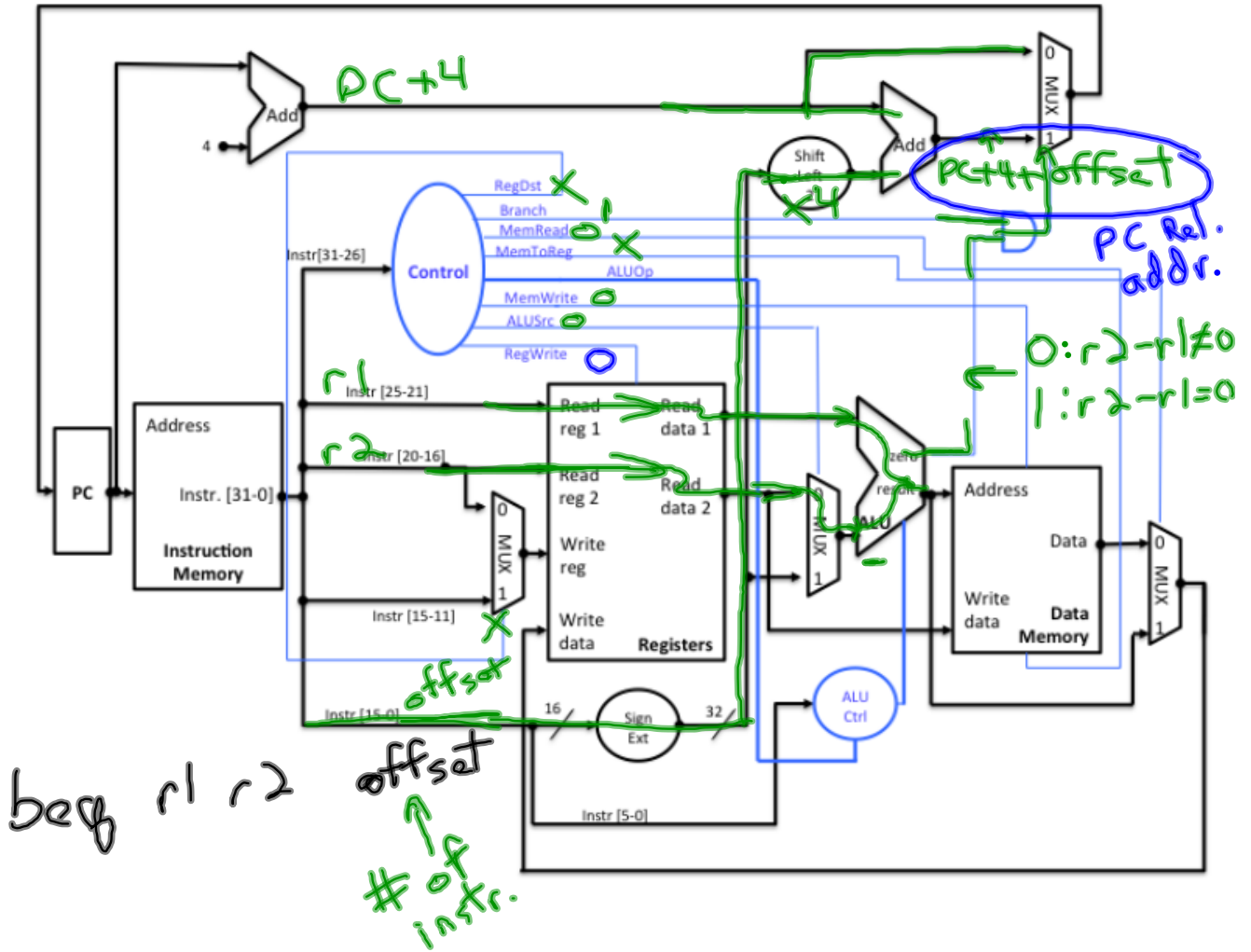


$lw\ r1\ 8(r2)$





Define class Implement class

